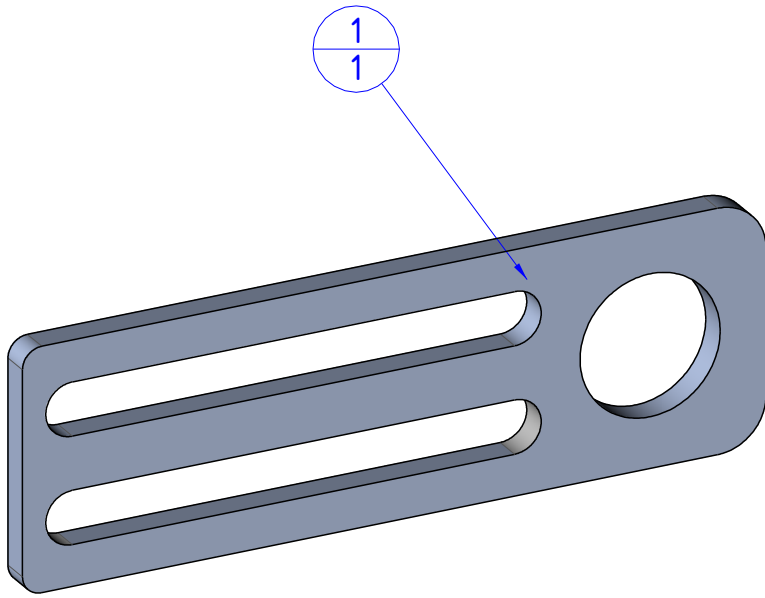
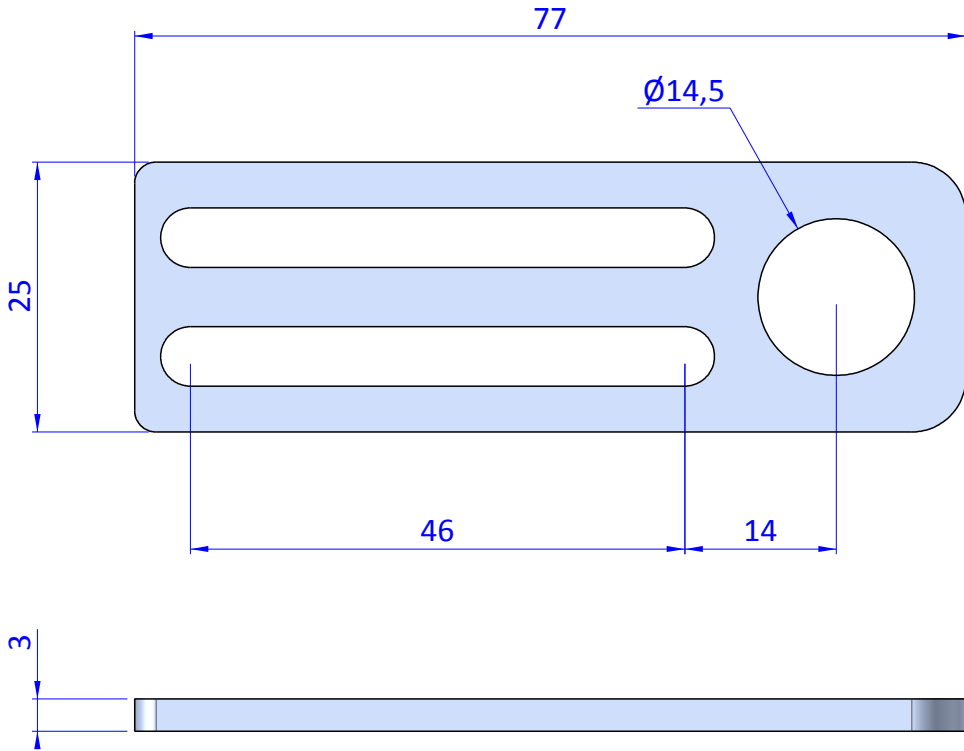


THE PROPERTY OF THE DRAWING IS ESTABLISHED BY LAW. IT IS FORBIDDEN TO PRODUCE OR SHOW IT TO THIRD PART. WITHOUT A WRITTEN AGREEMENT.

| Item | Name     | Q.ty |
|------|----------|------|
| 1    | 04.20.14 | 1    |



|   |                                  |                    |                   |                     |
|---|----------------------------------|--------------------|-------------------|---------------------|
| Format A4<br>UNI 936-76                         | <b>FP SERVICES</b><br>AUTOMATION |                    | DESIGNED FROM     | REVIEW              |
|   |                                  |                    | FPSERVICES        | A                   |
| GENERAL TOLERANCE<br>UNI - ISO 2768<br>CLASSE f | DESCRIPTION<br>CA.04.20.14       | DATE<br>30/04/2016 | WEIGHT<br>0,028kg | CODE<br>CA.04.20.14 |